

Sarns™ Modular Perfusion System 8000

A flexible, dependable, and cost-efficient modular blood pumping system.

SPECIFICATIONS

Base	For four pumps	For five pumps
Voltage/amperage	‡16400: 115V, 13 amps 16405: 220/240V, 6 amps ‡16409: 100V, 14 amps	‡16401: 115V, 15 amps 16406: 220/240V, 7 amps ‡16410: 100V, 16 amps
Height (from floor to top of roller pump when mounted on base)	25.8" (65.5 cm)	25.8" (65.5 cm)
Width	34.0" (86.4 cm)	42.3" (107.4 cm)
Depth	26.9" (68.3 cm)	26.9" (68.3 cm)

Ultrasonic Air Sensor	5773 (red)	5785 (black)	5791 (gold)
Sensor	3/8" (9.5 mm)	1/4" (6.4 mm)	1/4" (6.4 mm)
Tubing requirements	3/8" ID x 3/32" wall	1/4" ID x 1/16" wall	1/4" ID x 3/32" wall

Ultrasonic Level Detector	(2 standard)
Reservoir	Functions with clear hardshell reservoirs that have a wall thickness of 0.07" – 0.15" (1.8 mm – 3.81 mm)
Performance	Alert and alarm signals function properly with clear priming solution or blood of any hematocrit

Arterial Monitor

Displays	One pressure, three temperatures, two timers
Temperature monitoring range (for YSI® 400-type probes)	0° – 49.9° C
Pressure monitoring range	- 45 – 990 mmHg with alert and alarm settings
Timers	Two independent timers with hours, minutes and seconds up to 9 hours, 59 minutes, 59 seconds

Cardioplegia Monitor

Displays	Two pressures, three temperatures, two timers, volume measurement
Temperature monitoring range (for YSI 400-type probes)	0° – 49.9° C
Pressure monitoring range (2 channels)	- 45 – 990 mmHg with alert and alarm settings
Timers	Two digital timers (displaying hours, minutes and seconds) measure duration of cardioplegia delivery and time between deliveries
Volume measurement	Tracks total and dosage volume of cardioplegia delivered

Roller Pumps	16402‡	16407	16411‡
Voltage	115V	220/240V	100V
Height	13.4" (34.0 cm)	13.4" (34.0 cm)	13.4" (34.0 cm)
Width	8.2" (20.8 cm)	8.2" (20.8 cm)	8.2" (20.8 cm)
Depth	19.6" (49.8 cm)	19.6" (49.8 cm)	19.6" (49.8 cm)
Weight	50 lbs (22.6 kg)	50 lbs (22.6 kg)	50 lbs (22.6 kg)

‡ not available for sale in the European Economic Area (EEA)

continued, next page



Sarns™ Modular Perfusion System 8000

FEATURES

- Modular design
- Four- or five-pump base
- Roller or centrifugal pumps
- Arterial and cardioplegia monitors for temperature, pressures and timers
- Battery module
- Electronic venous occluder
- Pulse module
- Communications module for data acquisition

Safety monitor



Arterial monitor



Cardioplegia monitor



Roller pump



Sarns™ Modular Perfusion System 8000, continued

SPECIFICATIONS, CONTINUED

Battery Modules	16422 ‡	16415	16423 ‡
Voltage	115V	220/240V	100V
Battery backup	Power for two pumps and all safety systems and accessories for 25 minutes		
Electronic Occluder			
Tubing requirements	Min. 1/4" ID x 1/16" wall Max. 1/2" ID x 3/32" wall		
Display range	0 – 99% of maximum venous flow		
Pulsatile Flow Control Module			
Base setting	0 – 100% of pulse height		
Width setting	0 – 100% of pulse time		
Rate	30 – 150 beats per minute		

Automatic battery backup



Electronic occluder



Pulsatile flow control module



ORDERING INFORMATION

Sarns™ Modular Perfusion System 8000

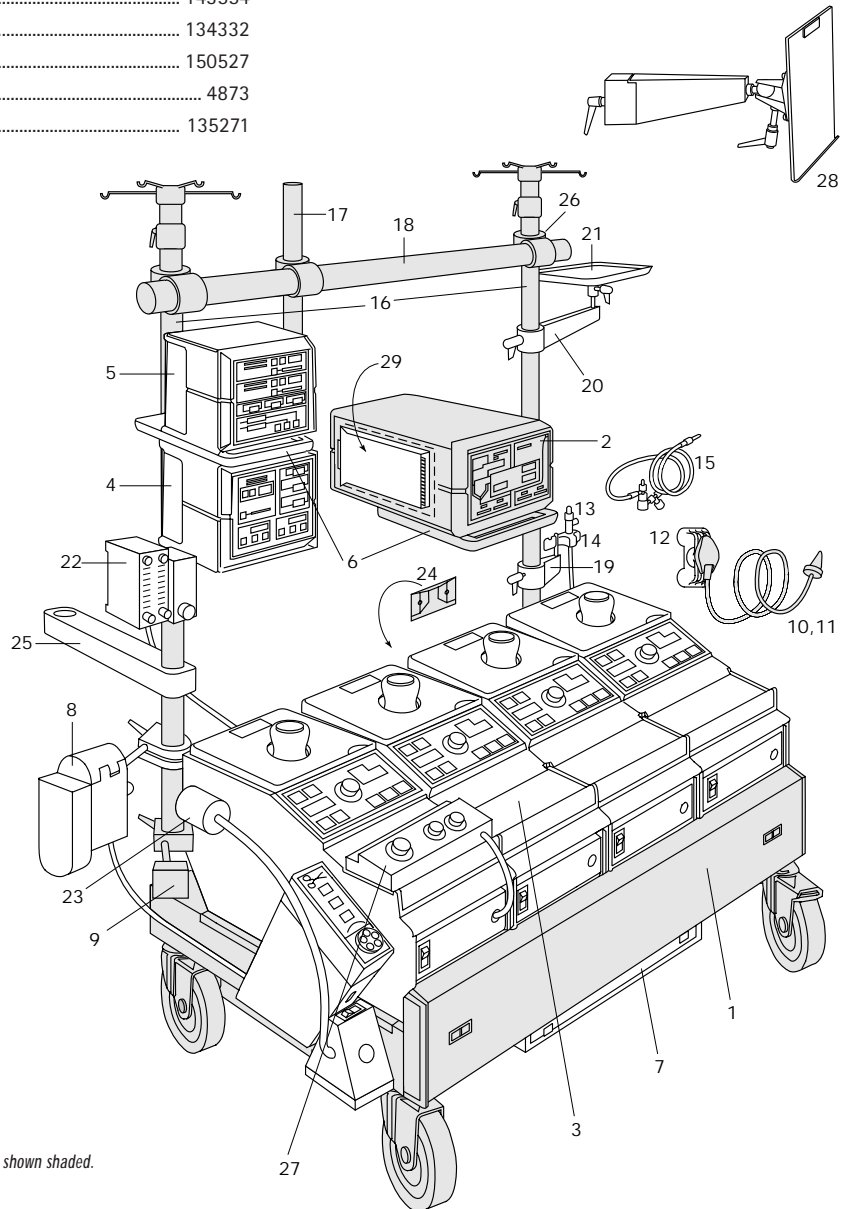
DESCRIPTION	CATALOG NO.	CALLOUT	
Base, 4 pump, 115V, safety monitor included	16400 ‡	1	<i>Callouts refer to illustration on facing page.</i>
Base, 5 pump, 115V, safety monitor included	16401 ‡		
Base, 4 pump, 220/240V, safety monitor included	16405		
Base, 5 pump, 220/240V, safety monitor included	16406		
Base, 4 pump, 100V, safety monitor included	16409 ‡		
Base, 5 pump, 100V, safety monitor included	16410 ‡		
Safety monitor (included above)	16404	2	
Roller pump, 115V	16402 ‡	3	
Roller pump, 220/240V	16407		
Roller pump, 100V	16411 ‡		
Arterial monitor	16413	4	
Cardioplegia monitor	16414	5	
Mounting arm for System 8000 monitors	16421	6	
Battery module, 115V	16422 ‡	7	
Battery module, 220/240V	16415		
Battery module, 100V	16423 ‡		
Venous line occluder	16418	8	
Ultrasonic air sensor (choose 1 of 3)			
1/4" x 1/16" (6.4 x 1.6 mm)	5785	9	
1/4" x 3/32" (6.4 x 2.4 mm)	5791		
3/8" x 3/32" (9.5 x 2.4 mm)	5773		
Cable only	149892		
Alert level sensor transducer	195215	10	
Alarm level sensor transducer	195274	11	
Level sensor pads, gel included (60 per box)	195240	12	
Reusable pressure transducer	16433301	13	
Pressure transducer holder	22300030	14	
Pressure transducer monitoring kit	16066100	15	
Telescoping poles with solution rack			
5' (1.5 m) – 7' (2.1 m)	16431701	16	

‡ not available for sale in the European Economic Area (EEA)

continued, next page

Sarns™ Modular Perfusion System 8000, continued

DESCRIPTION	CATALOG NO.	CALLOUT
2' (0.6 m) pole (standard)	16553301	17
3' (0.9 m) pole (optional)	131115	
4' (1.2 m) pole (optional)	16553401	
Crossbar for 4-pump base	16426	18
Crossbar for 5-pump base	16427	
Short mounting arm with 5/8" (1.6 cm) pole	16505801	19
Long mounting arm with 5/8" (1.6 cm) pole	16505901	20
Instrument tray (includes long mounting arm with 5/8" (1.6 cm) pole)	16434101	21
Blender	164235	22
Lamp, short, 15" (38.1 cm)	16420	23
Lamp, long, 33" (83.8 cm)	7278	
Tube clamp assembly	146835	24
Extension arm	16425	25
Crossbar fitting	145980	26
Pulsatile flow control module	16416	27
Writing surface, mounts on pole, holds		
8.5" x 11" (21.6 cm x 27.9 cm) paper	4404	28
Communications module (RS-232 port)	16417	29
Universal adapter cord (3 prong)	143554	
Delphin cord to System 8000	134332	
Writing surface/clipboard	150527	
4-pump water module	4873	
Operator's manual	135271	



Standard equipment is shown shaded.